

INSTRUCTION MANUAL

BS-48 Belt Linisher Sander (240V) 100 x 1220mm Belt Size



L1185

INDEX

1 Description and main features	3
1.1 Forward.....	3
1.2 Who should use the instruction	3
1.3 Intended use and limitation of use.....	3
2 Safety regulations	4
2.1 Forward.....	4
2.2 Labels on the machine	4
2.3 Workers' qualifications and dress.....	5
2.4 Basic safety requirements	5
2.5 Special safety regulations for abrasive finishing machines	7
2.6 Safety regulations for set-up	7
2.7 Safety regulations for operation	8
2.8 Safety regulations for maintenance.....	8
3 Specifications of machines	8
3.1 Identification Data.....	8
3.2 Sound level.....	8
3.2.1 Test conditions	9
3.2.2 Result of measurement.....	9
4 Transportation of machines.....	9
4.1 Transportation and store	9
4.2 Transportation before unpacking.....	10
4.3 Confirmation after unpacking	10
4.4 Transportation after unpacking.....	10
5 Installation of machines.....	11
5.1 Preparation before installation.....	11
5.1.1 Requirement of operating site.....	11
5.1.2 Requirements of electrical power	11
5.2 Installation.....	11
5.2.1 Minimum installation space for the machine.....	11
5.2.2 Installation	12
5.2.3 Connection of electrical supply	12
5.2.4 Connection of dust collection	12
6 Trial running and operation	13
6.1 Structure	13
6.2 Operation components	13
6.3 Trial running.....	14
6.4 Operation	14
6.5 Adjusting	15
6.5.1 Angle Adjust	15
6.5.2 Belt slant Adjust	15
6.5.3 Changing the belt.....	15
7 Maintenance	16
7.1 Troubleshooting.....	16

1 Description and main features

1.1 Forward

The instruction provides the caution proceeding, operation and services instruction for belt grinder including the following models: **JSG75, JSG75A, JSG100, JSG100A, JSG150, JSG150A, JSG220 and JSG220A.**

The incorrect operation and services may cause accidents. Before using the machine, user should read the operation manual carefully; understand all markings and instructions in order to protect himself and the machine rightly. Install, use and maintain the machine according to the requirement of the instruction. The manufacturer declines all responsibility for damage caused by negligence and/or the non-observance of the instructions described in the instruction.

Please hand on the operation manual to the end user, and the user should be trained to use the machine before using.

In order to explain the special instructions of the machine, some figures in the manual are incomplete. But the operator must remember that place all guards and covers in their functional places. Otherwise it may cause hazardous situations.

Illustration and specifications are not bonding all details. The items not specified in the manual should be regarded as prohibited.

The designs are subject to modification without notice.

**This instruction is an integral part of the machine and must accompany the machine whenever it is resold or moved.
If you have any question, please contact with our company.**

1.2 Who should use the instruction

The instruction is the necessary information for the personnel involved in using the machine, whatever their duties:

- ↪ The person involved in transporting and handling the machine.
- ↪ The person involved in operating the machine.
- ↪ The person involved in maintaining the machine.
- ↪ The person involved in demounting the machine.

1.3 Intended use and limitation of use

Belt grinder is mainly used to conduct surface polishing and grinding of metal in factories, so as to enhance the roughness and glossiness of spare parts surface. It enjoys high efficiency and superior performance in grinding. It is an ideal substitute for polishing machines.

This machine is only used for general metals grinding within the range of grinding capacity. Metals with low ignition points such as aluminum, magnesium, etc., are prohibited to be machined.



Warning: The machine is not designed to be used in explosive environment.

2 Safety regulations

2.1 Forward

The section of the instruction contains requirements that will help you use the machine safely.

The requirements concerning the installation, operation and maintenance of the machine will be repeated in the instruction, along with further information that is not included in the safety section.

2.2 Labels on the machine

Here below you will find the warning and danger signs that are attached to the machine and illustrated in the instruction.



- Always observe all the specifications and instructions of the instructions!
- Unqualified personal is prohibited to work with the equipment!
- The safety operating instructions of the machine must always be guaranteed.



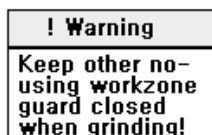
- For information on the safe of the machine, see the instruction handbook



- Wearing safety glasses and eye protection.



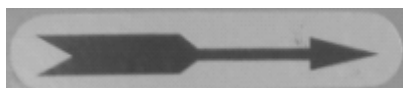
- Don't touch the belts when the machine is running!



- Keep other no-using workzone guards closed when grinding workpiece!



- Hoist point of the machine.



- Rotation label.

2.3 Workers' qualifications and dress

Only an expert skilled in the field or a worker instructed and trained by such expert may operate the machine, regardless of the sex. While working on the machine the operator must get familiar with these instructions and comply with any safety rules, regulations and provisions in force in the respective country.

For health, the workers must wear gloves, working clothes and safety shoes when working.

In addition, persons who are under the influence of alcohol, tire or the like, are forbidden to operate or maintain the machine.

Experience shows that injuries are caused by various personal articles, e.g. rings, watches, bracelets, necktie etc. Therefore take them off before starting the work. Wear hair protection and fasten hair properly. Wear suitable tight cloth, footwear, gloves that are recommended or prescribed by labour-safety regulations of all countries.

2.4 Basic safety requirements

Most accidents happen because of failure to adhere to simple safety regulations.

A simply but extremely important rule is:

Don't attempt to maintain or clean the machine when it is powered or running.

If normal safety precautions are overlooked or ignored, personal injury to the operator may result. Safety equipment such as guards, goggles, dust masks and hearing protection can reduce your potential for injury. But even the best guard won't make up for poor judgment, carelessness or inattention. Always use common sense and exercise caution in the workshop. If a procedure feels dangerous, don't try it. Figure out an alternative procedure that feels safer. Remember: your personal safety is your responsibility.

The proprietor of the machine must ensure that:

- Those persons who are concerned have been trained for their particular job and in regard to the safety regulations;
- The safety regulations are adhered to;
- The safety regulations are posted in the respective working area.

Please pay attention to the following single safety regulations:

- For your own safety, read the instruction manual before operating the machine. Learning the machine's application, limitations, and specific hazards will greatly minimize the possibility of accidents and injury.
- Never use the machine outdoors or expose it to rain and damp.
- This machine was designed for certain applications only. We strongly recommend that the machine not be modified and/or used for any application other than that for which it was designed. If you have any questions relative to a particular application, do not use the machine until you have first contacted us if it can or should be performed on the product. Technical modifications of the machine must only be done by our company or with the explicit approval from us. Otherwise our company will not be liable for modifications or any resulting damage.
- Never use the machine exceeding the limits established by the technical data.
- Good lighting conditions, clean environment and enough space shall be kept to operate and maintain the machine conveniently and prevent tripping or placing arms, hands, and fingers in danger.
- Before starting the machine, make sure that all safety devices are in their active positions and check their functioning. Don't attempt to use the machine when any safety device is suspended or removed.
- If there is any defect during starting or operation, especially those concerning the safety devices, the operator should stop the machine and inform his superior or the

person in charge of service.

- In the case that you are not going to work on the machine, turn off the machine.
- Before doing any maintenance work inside the machine or cleaning the machine, switch off the machine and unplug the plug from power supply
- Do not neglect performance of regular inspections in accordance with the instructions for use.
- Use certified safety equipments regarding to PPE directives. Splinters or air-borne debris can cause irritation, injury and/or illness.
- Dress properly. Do not wear tie, gloves, or loose clothing. Remove watch, rings, and other jewelry. Roll up your sleeves. Clothing or jewelry caught in moving parts can cause injury.
- Do not use the machine in a dangerous environment. The use of power tools in damp or wet locations or in rain can cause shock or electrocution.
- Maintain all tools and machines in peak condition. Keep tools sharp and clean for best and safest performance. Follow instruction of lubricating and changing accessories. Poorly maintained tools and machines can further damage the tool or machine and/or cause injury.
- Check for damaged parts. Before using the machine, check for any damaged parts. Check for alignment of moving parts, binding of moving parts, breakage of parts and any other conditions that may affect its operation. A guard or any other part that is damaged should be properly repaired or replaced. Damaged parts can cause further damage to the machine and/or injury.
- Keep children and visitors away. Workshop is a potentially dangerous environment. Children and visitors may be injured.
- Reduce the risk of unintentional starting. Make sure that the switch is in the "OFF" position before plugging in the power cord. In the event of a power failure, switch the switch to the "OFF" position.
- Check to see that all guards are in place, secured, and working correctly to prevent injury.
- Remove adjusting keys and wrenches before starting the machine. Tools, scrap pieces, and other debris can be thrown at high speed, causing injury.
- Use recommended accessories. The use of accessories and attachments not recommended by our company may cause damage to the machine or injury to the user.
- Make sure your extension cord is in good condition. When using an extension cord, be sure to use one heavy enough to carry the running current. An undersized cord will cause a drop in line voltage, resulting in loss of power and overheating. Refer to EN 60204-1:2006 for the correct size depending on the cord length and full-load rating on the nameplate.
- Secure the workpiece. Use clamps or a vise to hold the workpiece when practical. Loss of control of the workpiece can cause injury.
- Feed the workpiece against the direction of the rotation of the belt. Feed it from the other direction will cause the workpiece to be thrown out a high speed.
- Don't force the workpiece on the machine. Damage to the machine and/or injury may result.
- Don't overreach. Loss of balance can make you fall into a working machine, causing injury.
- Never stand on the machine. Injury could occur if you accidentally contact the running belt.
- Don't leave the machine until it comes to a complete stop. A child or visitor could be injured.
- Turn the machine to 'OFF' position and disconnect the machine from the power source before installing or removing accessories, before adjusting or changing set-up can cause injury.
- Make the machine childproof with padlocks. The accidental start-up can cause injury.
- Stay alert, watch what you are doing, and use common sense. Do not use the

machine when you are tired or under the influence of drugs, alcohol or medication. A moment of inattention while operating the machine may result in injury.

- The dust generated by certain products can be injurious to your health. Always operate machinery in well-ventilated areas, and provide for proper dust removal. Use dust collection systems whenever possible.

2.5 Special safety regulations for abrasive finishing machines



Warning: Failure to follow these rules may result in serious personal injury

- Don't operate the machine until it is assembled and installed according to the instructions.
- Obtain training from the supervisor, instructor, or another qualified person if you are not familiar with the operation of this machine.
- Follow all technical requirements and recommended electrical connections.
- Use the guards whenever possible. Check to see that they are in place, secured and working correctly.
- Check the belt for wear and tension. If the belt is damaged or can't be tensioned properly, replace it.
- Check for correct belt installation and insure that the belt is tracking properly.
- Keep arms, hands and figures away from abrasive surfaces.
- Avoid awkward operations and hand positions where a sudden slip could cause a hand to contact the sanding surface.
- Never wear gloves or hold the workpiece with a rag when sanding.
- Never start the machine with the workpiece against the sanding surface.
- Never start the machine before clearing the all objects (tools, scrap pieces, etc.) from the machine.
- Maintain minimum clearance between the table and the sanding surface.
- Use a backstop when using the belt finishing machine in a horizontal position.
- Feed the workpiece against the rotation of the sanding surface. Hold the workpiece securely on the table.
- Use a dust collection system. Or at least wear the mask during operation.
- Clean the machine and dust collection system thoroughly before and after sanding metal.
- Do not sand workpieces shorter than 7" or thinner than 1/32"
- Properly support long or wide workpieces.
- Disconnect the machine from the power source before installing or removing accessories, before adjusting or changing set-ups, or when repairing.
- Disconect the machine from the power source and clean the table/work area before leaving the machine. Lock the switch in the 'OFF' position to prevent unauthorized use.

2.6 Safety regulations for set-up

If there is no way of avoiding that the safety devices be suspended or removed during set-up, the machine must only be used by specially authorized personnel. The persons must ensure that personal injury and machine damage are prevented.

Turn off the power supply immediately and shut down the machine when the abnormal conditions happen.

All safety items must be checked whether or not they are in their active positions and check their functioning.

Function tests shall be done before commissioning. These include the verification of

running conditions of belts, running speed and stop button.

2.7 Safety regulations for operation

Do not put the machine into operation before you get acquainted with the contents of the instructions for use.

- Only use the machine when it is in perfect conditions. Make sure that electric cables are not damaged. Make sure all electrical components in perfect conditions.
- Before starting-up the machine, make sure that all parts have been properly mounted and secured and no foreign objects are putted on the machine. Make sure that no person is working on the machine before starting-up.
- Do not put the machine into operation with the guards removed.
- Do not remove safety devices such as guards.
- During machine operation, listen whether you hear abnormal noise. If any happens, stop the machine, find out the cause and solve it in time.
- For JSG150A/220A, the speed adjustment must be done only when the machine stops.
- Always keep the working area clean.
- It is not recommended to work on the machine during a storm.

2.8 Safety regulations for maintenance

Any maintenance work must be done by a qualified staff in accordance with the instructions issued by the machine manufacturer. Never do maintenance works before you get acquainted with the instructions for maintenance thoroughly.

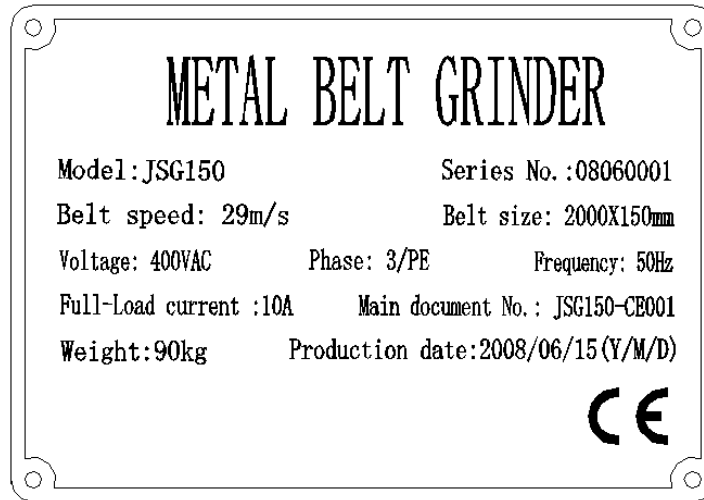
- Before you start to perform any maintenance work, always unplug the plug from power supply.
- Do not clean the machine even if the machine is completely out of operation, unless the plug is taken off from power supply.
- While changing electrical parts of the equipment, unplug the plug from power supply firstly. Faulty parts should be replaced only with products having the same specifications as the original ones.
- Do not remove guards. If there is no way of avoiding that the safety devices be suspended or removed during maintenance, the machine must only be used by specially authorized personnel. The persons must ensure that personal injury and machine damage are prevented.
- Do not use the machine before all safety devices removed for the purposes of maintenance are put in their places again.
- Always keep the maintenance area clean.
- Never put any tool or any other objects on the machine during maintenance.

3 Specifications of machines

3.1 Identification Data

Every machine we produce is fitted with a name plate with its serial number. The number is also punched on the machine.

An exact description of the machine model and serial number will facilitate rapid and effective replies from us.



3.2 Sound level

3.2.1 Test conditions

The test was conducted when the machine is running with load. The motors work at their rated conditions.

3.2.2 Result of measurement

For the noise test, new band belt is used. The material is Q235, with the dimension of 40X60mm.

The background pressure level of the test locations is 51.2dB (A).

The sound pressure level in the operator's position of the machine is 89.7dB (A).

The sound power level of the machine is 100.3dB (A)

The values given are those of emissions and do not necessarily mean any safe working values. Although there is a correlation between the value of emissions and the levels of exposure, these values cannot be used for reliable determination whether or not additional measures are necessary. The factors influencing actual levels of workers' exposure include the properties of the working area, other sources of noise, e.g. the number of machines and the other neighboring procedures. Also the highest permissible levels of exposure may vary in different countries. This information should help the machine user to evaluate the risk and the risk rate in a better manner.

The environment noise is recommended to be less than 65dB (A).

4 Transportation of machines

4.1 Transportation and store

The measures of anti-rust and shockproof should be taken during packing. The machine endures transportation and store in -25~55°C ambient temperature.

Be care of not making machine exposed to rain or damaging the packing during transportation and store.



- While transporting or handling the machine, be careful and let the activity be done by qualified personnel especially trained for the kind of activity!
- While the machine is being loaded or unloaded, make sure that no person or subject gets pressed by the machine!



- Select proper transportation device according to the weight of the machine. The weight of the machine you select please refer to Chapter 3.
- Make sure the lifting capacity of transportation device is competent for the weight of the machine.

4.2 Transportation before unpacking

As standard, the machine is packed in a robust wooden box. The following figure shows the method can be used to transport the packing box.



Fig. 4-1 transportation sketch (Before unpacking)

4.3 Confirmation after unpacking

When open the packing box, please pay attention to the following items. If you have any question, please contact directly with our company.

- 1) the machine is damaged in transportation or not
- 2) accessories and documents is complete or not
- 3) the specifications on machine label is consistent with the contract or not

4.4 Transportation after unpacking

Carefully unpack the machine and all loose items from the shipping container(s). Please use heavy duty fiber belt to lift up the machine regarding to Fig.4-2.



- The machine or its individual parts may only be lifted by means of an approved lifting device with verified lifting capacity (>500kg).
- Make sure that no person or subject gets pressed by the machine!
- Tighten all locks before operating.
- Always keep proper footing & balance while moving this machine, and only use heavy-duty fibre belt to lift up the machine.



Fig. 4-2 Transportation sketch with a crane (After unpacking)



If it is necessary to transport the machine after using, please protect cables firstly and discharge the scrap iron.

Remove the protective coating from all unpainted surfaces. After cleaning, cover the unpainted surfaces with a good quality household floor paste wax.

5 Installation of machines

5.1 Preparation before installation

5.1.1 Requirement of operating site

The machine is designed for operation on the following site:

- The height above sea level doesn't exceed 1000m.
- The temperature range of air shall be 5°C~40°C.
- The relative humidity doesn't exceed 50% at a maximum temperature of +40 °C. Higher relative humidity may be permitted at lower temperature (e.g.90% at 20°C).
- Lighting within the workzone shall be provided with a minimum of 500lux.
- Clean environment, good ventilation and enough space shall be kept to operate and maintain the machine conveniently.

5.1.2 Requirements of electrical power



Note: The end user should provide over-voltage protection device on the incoming power supply when finishing installation on the spot!

■ Voltage

The input power supply of the machine is 1/PE, AC220V for JSG75A and JSG100A.

The input power supply of the machine is 3/PE, AC380V for other models.

■ Frequency

0.99~1.01 times of rated frequency (50 Hz , continuous working)

0.98~1.02 times of rated frequency(50Hz, short period working)

■ Harmonics

The sum of 2nd-5th distorted harmonic must not exceed 10% of RMS of voltage. An additional 2% of RMS of line voltage is allowed to for the sum of 6th-30th harmonic.

■ Unbalanced voltage

Neither negative nor zero sequence component is allowed to exceed 2% of the positive sequence component.

■ Short-circuited protection and incoming cable

The machine should have short-circuited protection device at the power supply end by the end-user. The rated current is recommended as 10A, and the diameter of the incoming line must not be less than 3×1.5mm²(Black) +1.5mm²(PE, Green-and-Yellow).

5.2 Installation

5.2.1 Minimum installation space for the machine

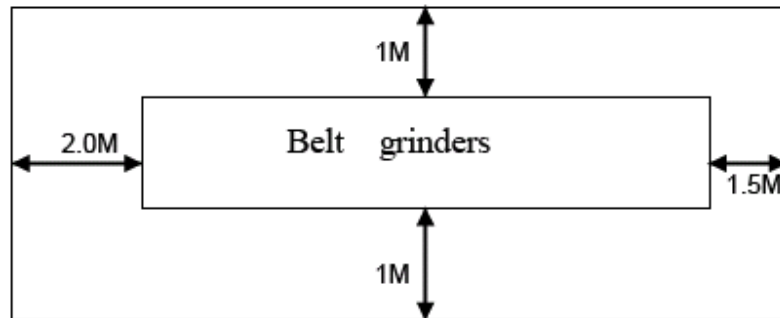


Fig. 5-1 Min. installation space

5.2.2 Installation

The machine is delivered in a wooden case. The machine should be placed on a level ground sill or table and secured by four bolts (M10).

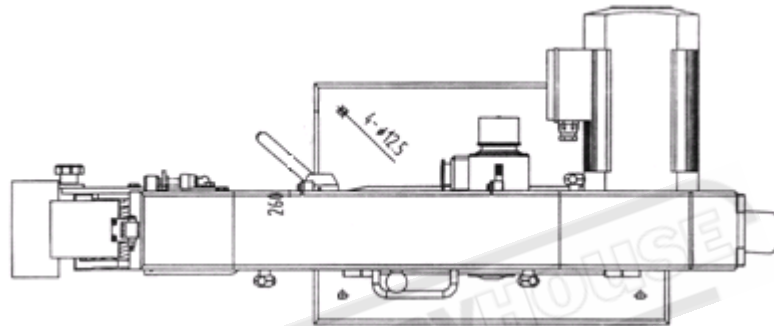


Fig. 5-2 Installation dimensions

5.2.3 Connection of electrical supply

We recommend using cable of at least H07RN 1.5mm² to connect with the plug. The user should also provide a fuse with rated current of 10A in the supply circuit. Set up the electrical connections according to the attached electrical drawing.



- The machine should be installed in a workshop, which has proper lighting, no contamination and good ventilation condition.
- Ensure safety, secure and solid installation.
- Electrical installation must be done by professional electrician.
- Make sure the protector earth lines of the machine are connected reliably

5.2.4 Connection of dust collection

Connect back dust collection outlet to dust extrusion system.

Connect front dust collection outlet to proper container or bag. When dust in the bag is more the half of the capacity of the collection bag, please stop the machining process and clean the bag in time.

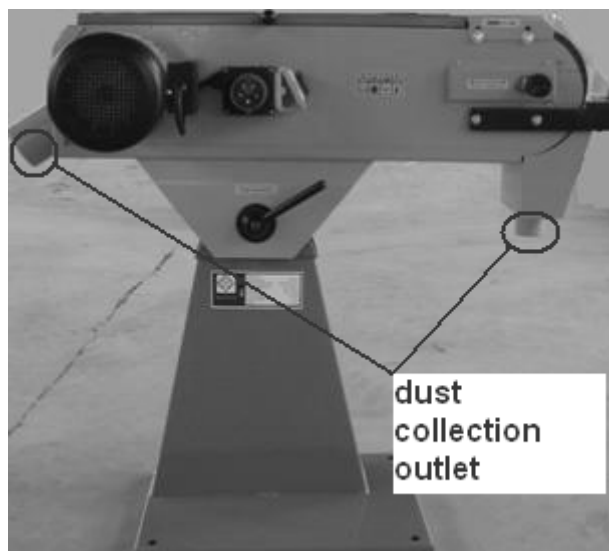


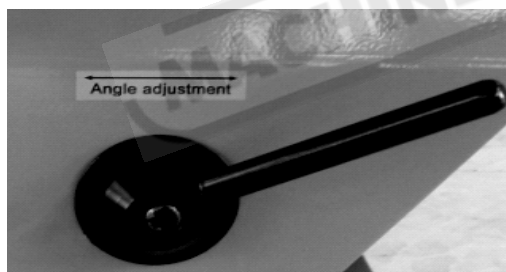
Fig. 5-3 Dust collection sketch

6 Trial running and operation

6.1 Structure

Belt grinder is consisted of main body and its racks. The main body can swivel and be adjusted in a certain angle range around the racks. It is in operation by a grinding wheel which is directly driven by a motor.

6.2 Operation components



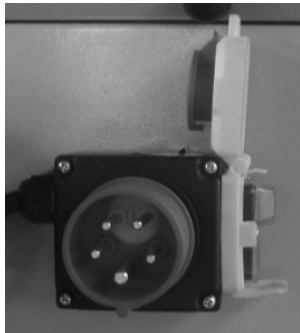
Angle adjustment handle



Belt deviation adjustment handle



Belt tension release lever



Plug, stop & start button

6.3 Trial running



- Before using the machine, the insulation resistance between parts and outside cover must be measured. Refer to EN 60204-1:2006 for detail information.
- Ensure the stability of the machine before using the machine.
- Turn the band wheel and other parts by hand to watch whether it feels smoothly and deftly, and listen whether there is bumping sound. After making sure that all parts are in normal conditions, the machine can be started.

Check the following functions:

The belt moves freely by pressing the belt with hand.

The belt does not touch the grinding supports.

Make sure that the running belt has the correct rotation direction. If the rotation direction is not correct, please change it by the plug with the function of phase changer.

6.4 Operation

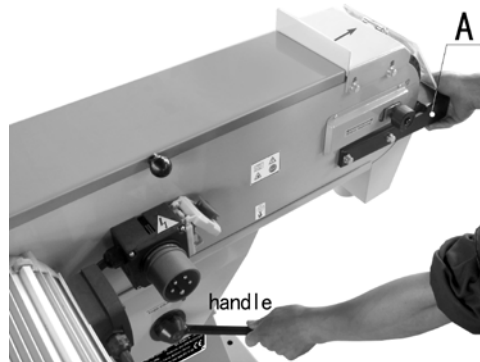


- Operate the machine according to the instruction handbook!
- Stop the machine when emergency!
- Only the qualified persons should be permitted to operate the machine.
- Wear eye and ear protection at all times. If necessary, wear mask during operation!
- The number of granularity of sand-band is to be selected higher when higher polishing quality is needed. Otherwise the number of granularity can be lower.
- Contacting parts to be processed near sand-band slowly, then exert force evenly.
- Keep other no-using workzone guards closed when grinding!

6.5 Adjusting

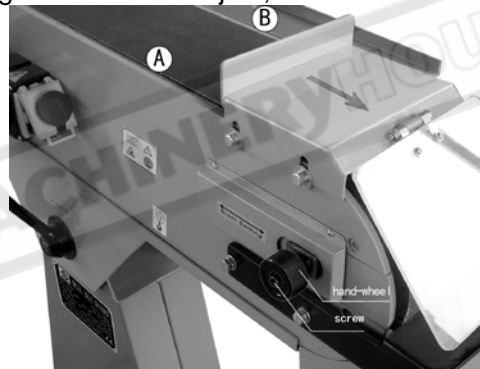
6.5.1 Angle Adjust

The handle of the belt grinder is in loose condition in a certain angle range, then turn the handle firm to avoid unexpected accident.



6.5.2 Belt slant Adjust

If the belt is deviated, adjust the belt deviation by rotating the hand wheel after loosening the screw. When finishing the belt slant adjust, fasten the screw again.

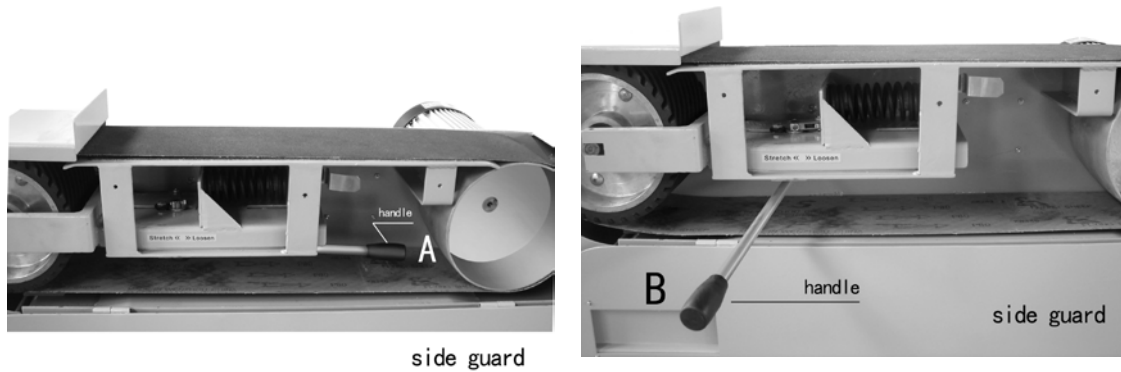


6.5.3 Changing the belt

A satisfied grinding would only be obtained when using a completely clean grinding belt. Otherwise it must be renewed.

It can be fulfilled by moving eccentric wheel handle to compress the belt machine. After the sand-band is dismantled and replaced, the eccentric wheel handle should restore to its original position. Please refer to the detailed step as following:

- ↔ Switch off the machine.
- ↔ Ensure the belt is at a complete standstill.
- ↔ Open the side guard with tools.
- ↔ Loosen the belt by moving the belt tension release lever from A to B position.
- ↔ Replace the belt.
- ↔ Tighten the belt by moving the belt tension release lever from B to A.
- ↔ Close side guard with tools.



7 Maintenance



- Before maintenance, unplug the plug firstly from the incoming power source. Adjustment, lubrication and maintenance points must be carried out while machinery is at a standstill.

Normal maintenance of the contact wheel and the steering roller is needed.

The outside cover of belt grinder and the grinding scrap and dust in outlet should be frequently cleaned and keep these places tidy.

7.1 Troubleshooting

Trouble	Possible cause	Solution
The machine will not start	<ol style="list-style-type: none"> 1. Unplug from power supply 2. Protector is tripped 3. Power cord is damaged 	<ol style="list-style-type: none"> 1. Check all plug connections 2. Replace fuse or reset circuit breaker 3. Replace cord
Belt does not come up to speed	<ol style="list-style-type: none"> 1. Extension cord too light or too long 2. Motor is not wired for proper voltage 3. Low current 	<ol style="list-style-type: none"> 1. Replace with adequate size and proper length cord 2. Refer to motor junction box for proper wiring 3. Contact a qualified electrician
Machine vibrates excessively	<ol style="list-style-type: none"> 1. Stand on uneven floor 2. Motor mounts are loose 3. Tension spring is worn or broken 	<ol style="list-style-type: none"> 1. Adjust base so that it rests evenly on the floor 2. Tighten motor mount bolts. 3. Replace spring
Abrasive belt keeps tearing	<ol style="list-style-type: none"> 1. Belt is running in the wrong direction 	<ol style="list-style-type: none"> 1. The sanding belt should be running in the same direction of rotation label.
Sanded edge not square	<ol style="list-style-type: none"> 1. Table isn't square to sanding platen 	<ol style="list-style-type: none"> 1. Use a square to adjust table to sanding platen
Sanding marks on wood	<ol style="list-style-type: none"> 1. Workpiece is held still 2. Wrong grit sanding belt 3. Feed pressure too great 4. Sanding against the grain 	<ol style="list-style-type: none"> 1. keep workpiece moving 2. Use coarser grit for stock removal and fine grit for finish sanding. 3. Never force workpiece into sanding platen 4. Stand with the grain.

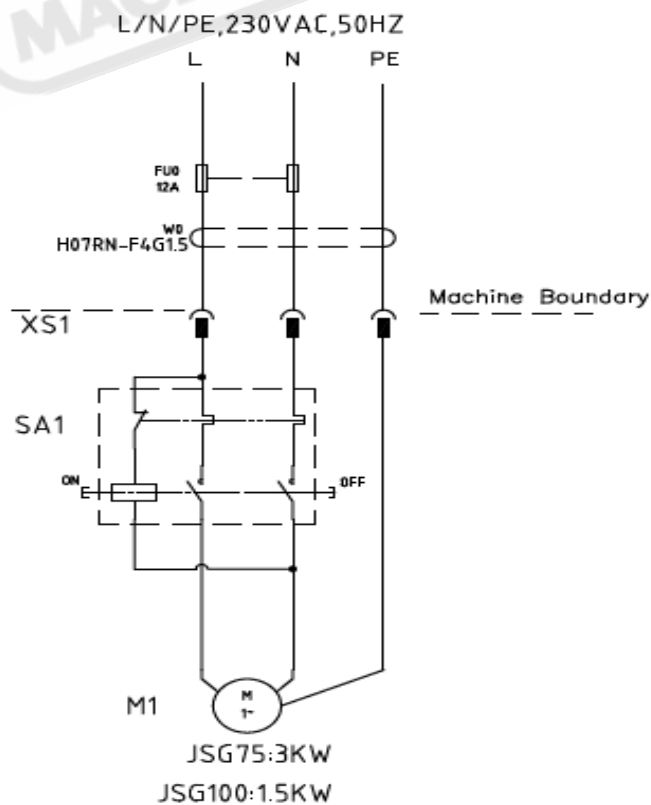
Attached technical data & parts list of Belt Grinder

1 Technical Features

	JSG100
Rated voltage(V)	240V
Rated frequency (Hz)	50HZ
Motor(kW)	1.5
Belt speed (m/s)	19
Belt Size(mm)	100X1220
Weight(kg)	41
WxHxL(mm)	630 X 410 X 355(body)

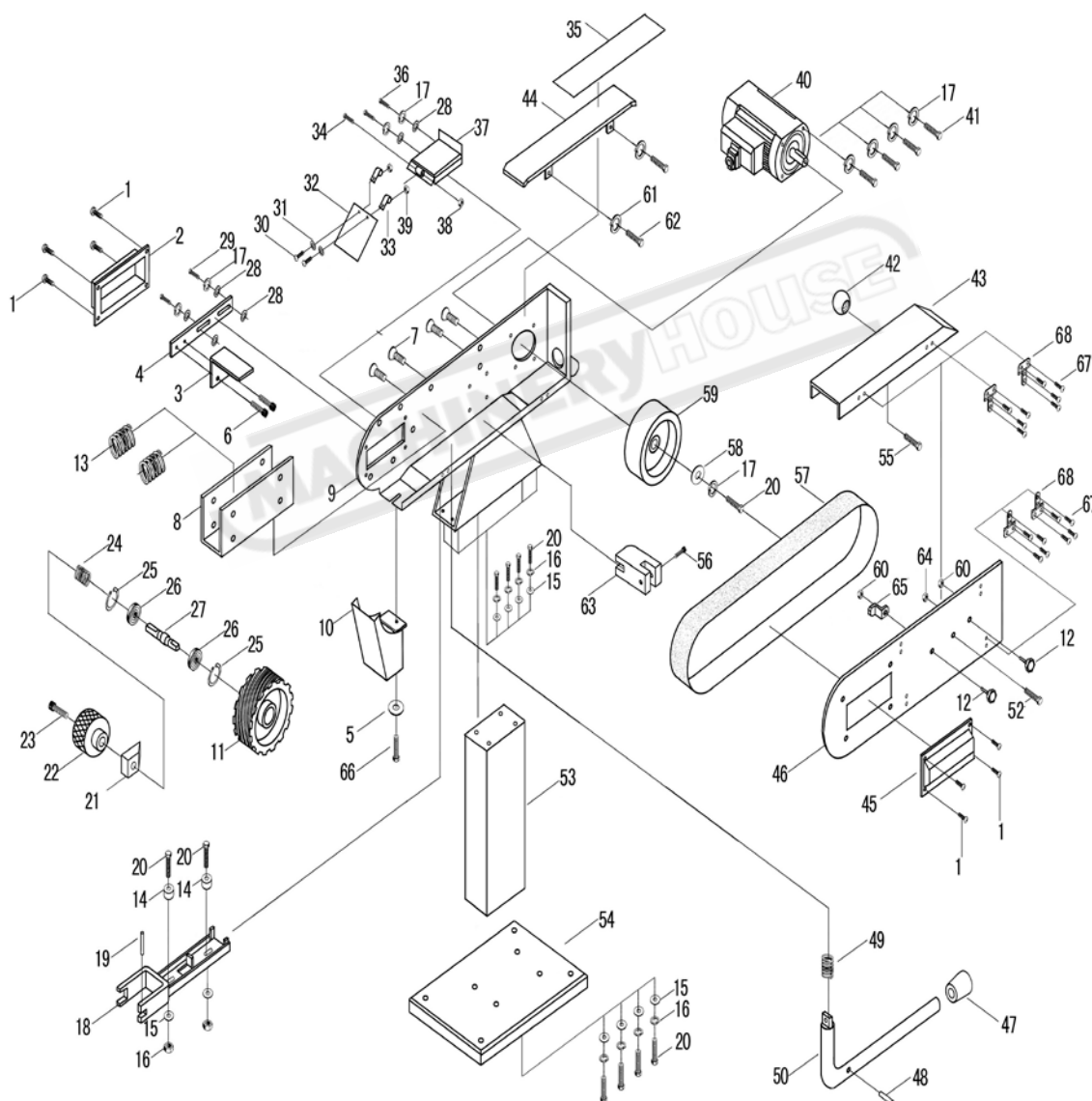
2 Electrical drawings and components list

For JSG100/230V, the electrical drawing as follow:



Electrical Part Lists for JSG100						
No.	Code	Part	Type	Specification	Manufacturer	Approval
1		Cable	H07RN-F	4*1.5mm ²	HELUKABEL	TUV
2		Metric bushing	HSK-Flex	PG9 M16X1.5	HUMMEL	VDE
3		Internal wire	AVLV8		Wuxi Baiyun Wire&Cable Co., Ltd.	UL

2 Part list (Mechanical)



For JSG100
Part list

PART NO.	DESCRIPTION	QTY	REMARKS	PART NO.	DESCRIPTION	QTY	REMARKS
1	CUP HEAD SCREW M4X6	8		31	FLAT WASHER Φ 4	2	
2	LEFT COVER	1		32	PERSPECTIVE PLATE	1	
3	WORK TABLE	1		33	COLLECTING BOARD	2	
4	FIXATION BOARD OF WORK TABLE	1		34	CUP HEAD SCREW M6X50	1	
5	FLAT WASHER Φ 8	1		35	BLACK LEAD PLATE	1	
6	HEXAGONAL SOCKET SCREW M6X10	2		36	BOLT M8X12	2	
7	HEADING-EXTRUSION SCREW M8X16	4		37	FENCE EXTENSIONS	1	
8	STOP BLOCK	1		38	SELF-LOCKINGNUT M6	1	
9	BODY	1		39	NUT M4	2	
10	DUST RECEIVER	1		40	MOTOR	1	
11	DRIVEN WHEEL	1		41	BOLT M8X20	4	
12	SCREW M6X12	2		42	HAND BALL	1	
13	SPRING	2		43	SAFETY GUARD	1	
14	POSITION TUBE	2		44	SUPPORT PLATE	1	
15	FLAT FASHER Φ 8	12		45	RIGHT COVER	1	
16	NUT M8	2		46	SIDE FENCE	1	
17	ELASTIC WASHER Φ 8	23		47	PROPECT TUBE	1	
18	DRIVEN WHEEL GUIDE	1		48	PIN 3X20	1	
19	COLUMNAR PIN Φ 5X35	1		49	SPRING	1	
20	BOLT M8X20	5		50	HAND BAR	1	
21	SHAFT BLOCK	1		51	BASE (DELETE)	1	
22	HAND WHEEL	1		52	BOLT M6X18	1	
23	HEXAGONAL SOCKET SCREW M6X30	1		53	STAND	1	
24	SPRING	1		54	STAND PLATE	1	
25	RETAINING RING Φ 47	2		55	SCREW 6X16	1	
26	BEARING 204	2		56	HEXAGONAL SOCKET SCREW M5X20	1	
27	DRIVEN WHEEL SHAFT	1		57	SAND BELT	1	
28	BIG FLAT WASHER Φ 8	6		58	BIG WASHER Φ 32	1	
29	BOLT M8X20	2		59	DRIVE WHEEL	1	
30	CUP HEAD SCREW M4X10	2		60	SELF LOCK NUT M6	2	
PART	DESCRIPTION	QTY	REMARKS	PART	DESCRIPTION	QTY	REMARKS

NO.				NO.			
61	ELASTIC WASHER $\Phi 8$	2		65	SPRING PLATE	1	
62	BOLT M8X12	2		66	BOLT M6X12	1	
63	HAND BAR COLLECTING ROD	1		67	CUP HEAD SCREW M4X6	16	
64	SELF- LOCK NUT M6	1		68	HINGE	4	

MACHINERYHOUSE